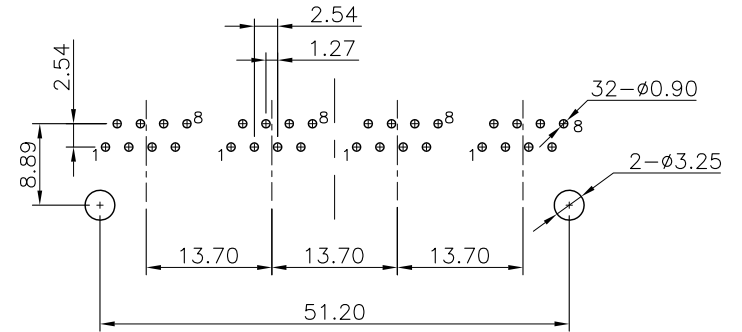
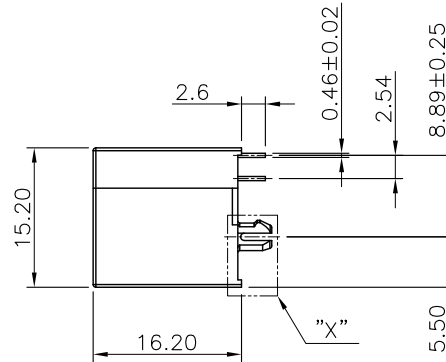
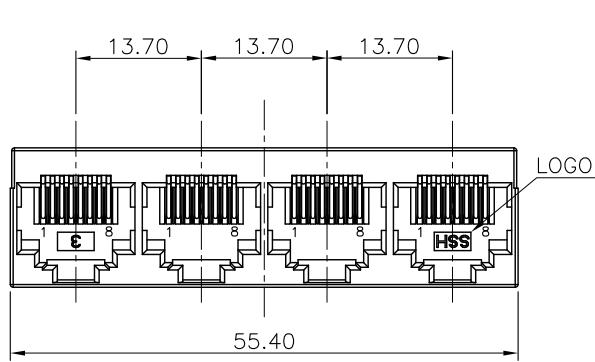


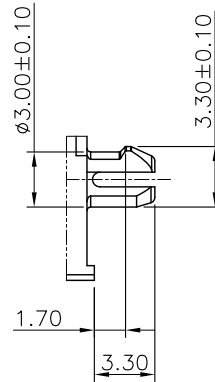
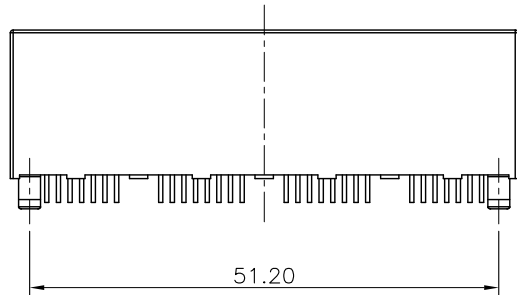
RoHS Compliant

CUSTOMER DRAWING

REV.	ECN NO.	DESCRIPTION	DATE	DESIGN
A0	N/A	NEW DRAWING	2017.05.27	WOODY
A1	ECN-1708-013	CHANGE	2017.08.03	WOODY



RECOMMENDED PCB LAYOUT
TOP VIEW (TOL:±0.05)



DETAIL "X"
SCALE 2:1

NOTES:

- MATERIAL:
 - HOUSING: PBT, 114C(001), UL94V-0;
 - TERMINAL: PHOSPHOR BRONZE, $\phi 0.46 \pm 0.02$ mm;
- FINISH: GOLD Fu PLATED;
- RECOMMENDED PCB THICKNESS: 1.60mm;
- ELECTRICAL:
 - VOLTAGE RATING: 125 VAC RMS;
 - CURRENT RATING: 1.5 AMP;
 - CONTACT RESISTANCE: 35 MILLIOHMS MAX.;
 - INSULATION RESISTANCE: 1000 MEGOHMS MIN, 500VDC.;
 - WITHSTAND VOLTAGE: 1000 VAC RMS 50(60)Hz, 1min.;
- MECHANICAL:
 - MATING/UNMATING FORCE: 22N MAX.;
 - RETENTION STRENGTH: 50N MIN.;
 - OPERATING LIFE: 750 CYCLES MIN.;
- ENVIRONMENTAL:
 - STORAGE: $-10^{\circ}\text{C} \sim +40^{\circ}\text{C}$, RELATIVE HUMIDITY < 80%;
 - OPERATION: $-40^{\circ}\text{C} \sim +85^{\circ}\text{C}$;
- MATES WITH: MODULAR PLUGS THAT CONFORM TO FCC REGULATION PART 68.500.

UNIT® 深圳市鸿宇特电子有限公司
SHENZHEN UNIT ELECTRONICS CO., LTD

UNLESS OTHERWISE, GENERAL TOLERANCE:		NAME: SH-52-75 客户图		P/N: 845-52752-002					
X.xxx	±0.10	THIRD ANGLE PROJECTION 		UNIT:	SCALE:	SIZE:	SHEET:	REV.:	
X.xx	±0.20			mm	1:1	A4	1/1	A1	
X.x	±0.30			DRAWN:		CHECKED:		APPROVED:	
X.	±0.35								
ANGULAR:									
X.xx	±1°								
X.x	±3°								
X.	±5°								

3D VIEW