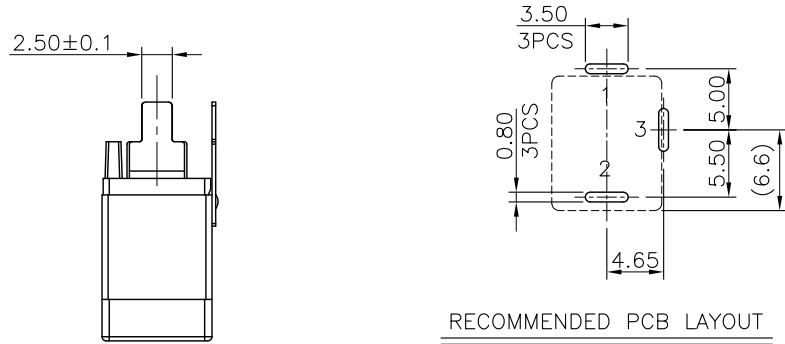


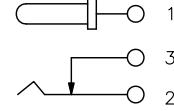
RoHS Compliant

CUSTOMER DRAWING

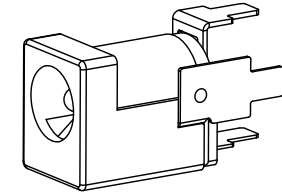
REV.	ECN NO.	DESCRIPTION	DATE	DESIGN
B2	ECN-1601-038	CHANGE	2016.01.22	WOODY
B3	ECN-1604-031	CHANGE	2016.04.19	Edison



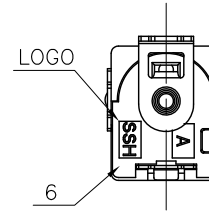
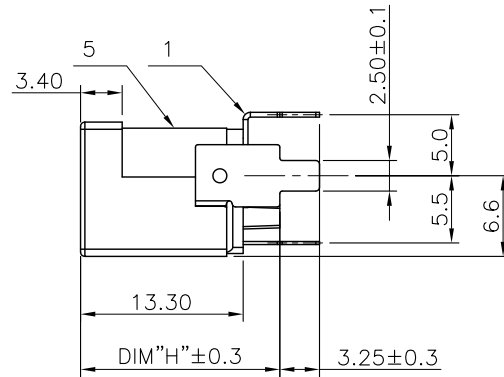
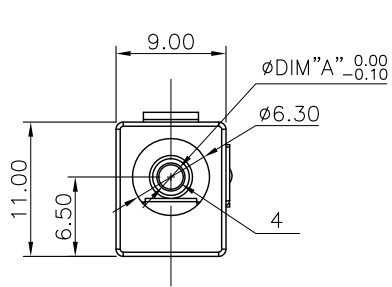
RECOMMENDED PCB LAYOUT
TOP VIEW (TOL:±0.05)



CIRCUIT DIAGRAM



3D VIEW



NOTES:

- MATERIAL&PLATED: SEE "TABLE 1";
- RECOMMENDED PCB THICKNESS: 1.60mm;
- ELECTRICAL:
 - RATING: DC 12V 2A OR DC 30V 0.5A;
 - CONTACT RESISTANCE: 30 MILLIOHMS MAX.;
 - INSULATION RESISTANCE: 100 MEGOHMS MIN, 250VDC.;
 - WITHSTAND VOLTAGE: 500 VAC RMS 50(60)Hz, 1min.;
- MECHANICAL:
 - MATING/UNMATING FORCE: 3~30N;
 - OPERATING LIFE: 5000 CYCLES MIN.;
- ENVIRONMENTAL:
 - STORAGE: -10°C~+40°C, RELATIVE HUMIDITY<80%;
 - OPERATION: -25°C~+70°C.

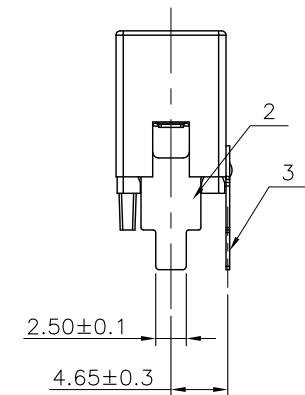


TABLE 2

NO.	PART NUMBER	HOUSING	COVER	DIM"A"	DIM"H"
1	805-02133-002	BLACK	BLACK	∅2.0	16.3
2	805-02135-000	BLACK	BLACK	∅2.5	15.3
3	805-02135-001	BLACK	BLACK	∅2.5	16.3
4	805-02135-005	WHITE	BLACK	∅2.5	16.3

TABLE 1:

NO.	NAME	Q'TY	MATERIAL	DESCRIPTION	REMARK
①	TERMINAL 1	1 PCS	BRASS	Cu/Sn PLATED	T=0.40±0.05mm
②	TERMINAL 2	1 PCS	PHOSPHOR BRONZE	Sn PLATED	T=0.25±0.03mm
③	TERMINAL 3	1 PCS	BRASS	Sn PLATED	T=0.30±0.03mm
④	CENTER PIN	1 PCS	BRASS	Cu/Sn PLATED	
⑤	HOUSING	1 PCS	PBT UL94V-0	COLOR SEE TABLE 2	
⑥	COVER	1 PCS	PBT UL94V-0	COLOR SEE TABLE 2	

UNIT 深圳市鸿宇特电子有限公司
SHENZHEN UNIT ELECTRONICS CO., LTD

UNLESS OTHERWISE, GENERAL TOLERANCE:		NAME: DC-02-13		P/N: SEE TABLE 2	
X.xxx ±0.10		客户图		DWG NO.: DWG-CST-0836	
X.xx ±0.20		THIRD ANGLE PROJECTION	UNIT: mm	SCALE: 1:1	SIZE: A4
X.x ±0.30					
X. ±0.35		ANGULAR:			
X ±5°					