

# SPECIFICATIONS FOR APPROVAL

Version : 1.0

CUSTOMER : \_\_\_\_\_

PART NO : \_\_\_\_\_

PRODUCT : **10/100BASE-TX DUAL PORT TRANSFORMER**

PRODUCT NO : **FM-318LLF**

DIVISION	APPROVED BY	TESTED BY	CUSTOMER APPROVAL
SIGNATURE			

The logo for Bi-TEK, featuring the word "Bi-TEK" in a blue, stylized font with a red dot above the "i".The logo for Tonyo, featuring the word "Tonyo" in a bold, black, italicized font with a registered trademark symbol (®) to the upper right.

## PRECISE WINNER LIMITED

12F-2, No.700, Zhongzheng Rd., Zhonghe Dist.,  
New Taipei City 235, Taiwan (R.O.C.)

TEL: 886 2 82278533

FAX: 886 2 82278535

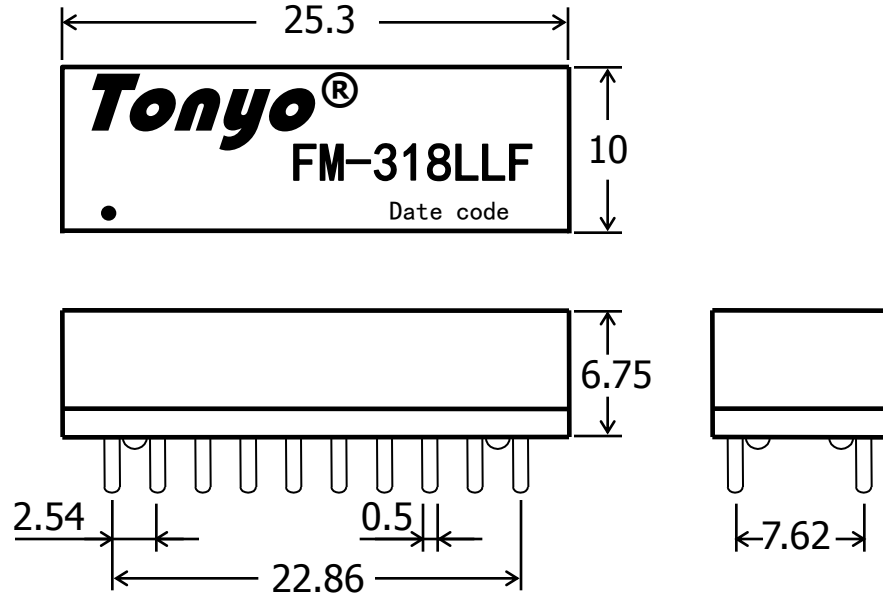
Email: [service@bi-tek.com.tw](mailto:service@bi-tek.com.tw)

Web: [www.bi-tek.com.tw](http://www.bi-tek.com.tw)

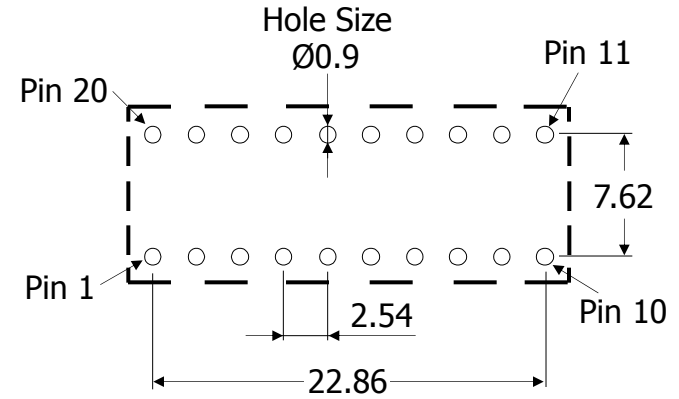


**RoHS Compliant**

# Mechanical Dimensions :



# DIP Pad Dimensions : ( TOP VIEW )



RECOMMENDED  
PAD LAYOUT

- 1.UNITS : MILLIMETER ALL TOLERANCES ARE  $\pm 0.25$  mm
- 2.PACKAGE : BLACK PLASTIC SELF-EXTINGUISHING PER UL94V-0.
- 3.LEAD: SOLDERABILITY PER MIL-STD-202,METHOD 208.

NOTES: UNLESS OTHERWISE SPECIFIED

PRELIMINARY

Approved by :

Checked by :

TITLE: Mechanical Outline

**Tonyo**<sup>®</sup>

PART NO: FM-318LLF

SCALE: NONE

SHEET 1 OF 6

10/100 BASE-T DIP DUAL PORT TRANSFORMER

OPERATING TEMPERATURE:  $-0^{\circ}\text{C} \sim +70^{\circ}\text{C}$

STORAGE TEMPERATURE:  $-40^{\circ}\text{C} \sim +85^{\circ}\text{C}$

IPC/JEDEC J-STD-033B

Level : 2a Time : 4 weeks

Conditions :  $\leq 30^{\circ}\text{C}$  / 60% RH

ELECTRICAL SPECIFICATIONS @  $25^{\circ}\text{C}$

TURN RATIO : 1CT:1CT(TX) / 1CT:1CT(RX)

OPEN CIRCUIT INDUCTANCE : 350uH MIN @100KHz,100mV,8 mA DC BIAS

INSERTION LOSS (TX/RX) : -1.0dB max (1-100MHz )

RETURN LOSS (TX/RX) : -16dB min(1-30MHz)

-12dB min(60MHz)

-10dB min(80MHz)

COMMON MODE REJECTION (TX/RX) : -45dB min(1-30MHz )

-40dB min(60MHz)

-35dB min(80-100MHz)

CROSS TALK : -42dB min(1-30MHz)

-40dB min(60MHz)

-38dB min(80-100MHz)

ISOLATION(PRIMARY/SECONDARY) : 1500 Vrms

PRELIMINARY

Approved by :

Checked by :

TITLE: Electrical Characteristics

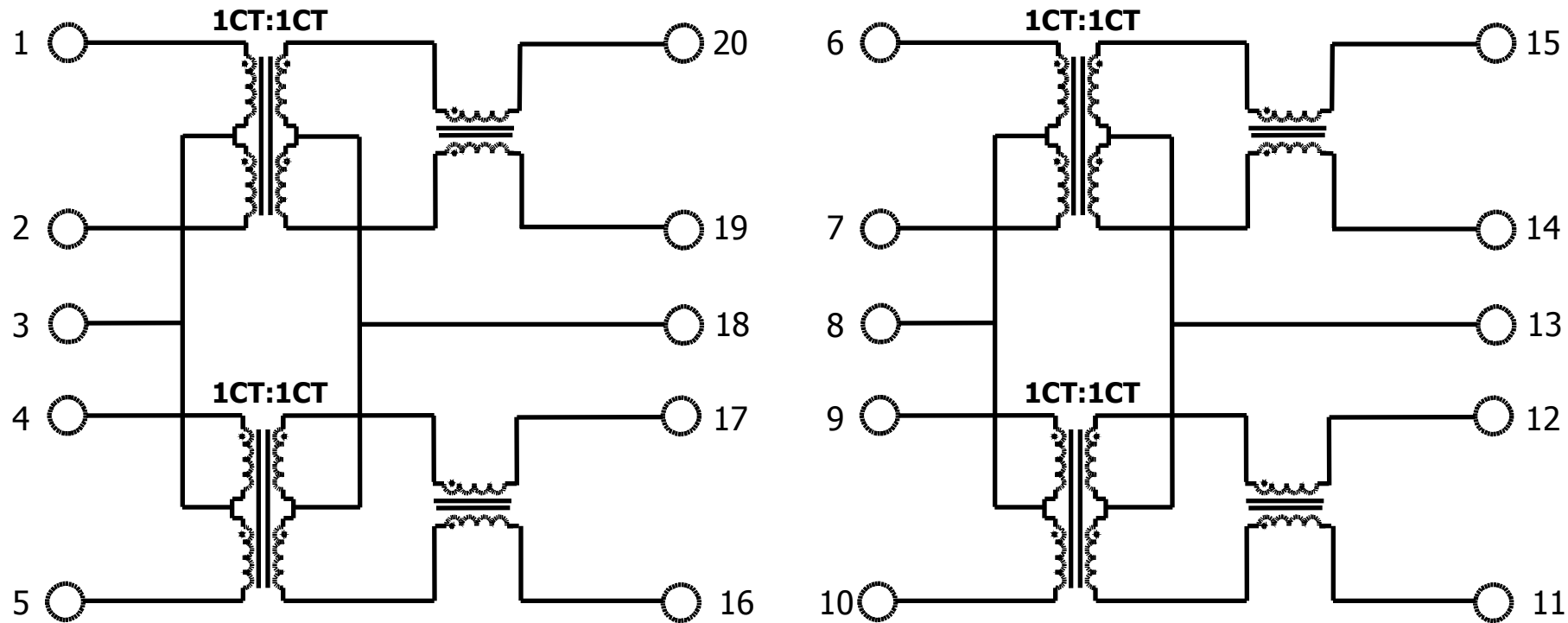
**Tonyo**<sup>®</sup>

PART NO: FM-318LLF

SCALE: NONE

SHEET 2 OF 6

# Circuit Schematic :



PRELIMINARY

Approved by :

Checked by :

TITLE: Electrical

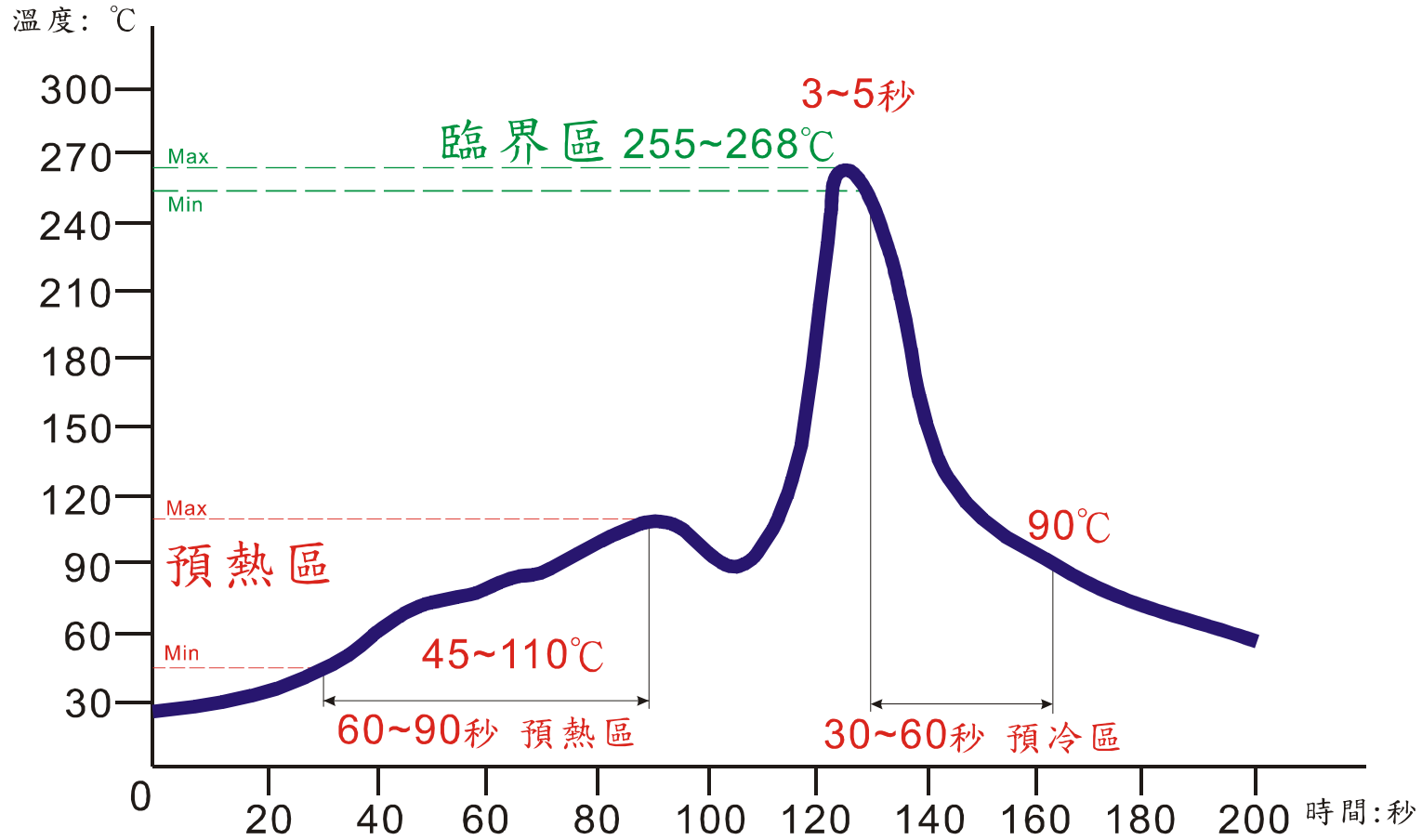
**Tonyo**<sup>®</sup>

PART NO: FM-318LLF

SCALE: NONE

SHEET 3 OF 6

# Reflow Profile :



此溫度曲線僅供參考

PRELIMINARY

Approved by :

Checked by :

TITLE: Free Lead Temperature

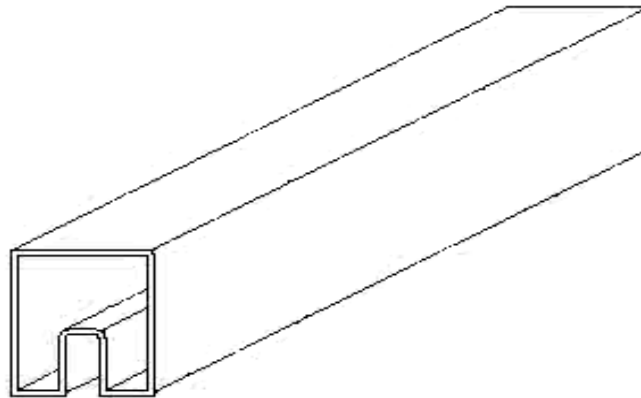
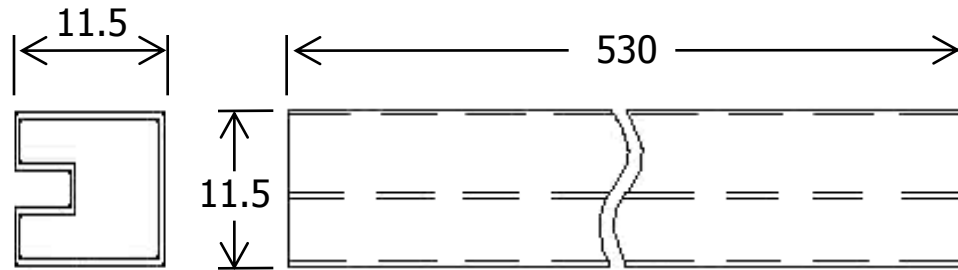
**Tonyo**®

PART NO: FM-318LLF

SCALE: NONE

SHEET 4 OF 6

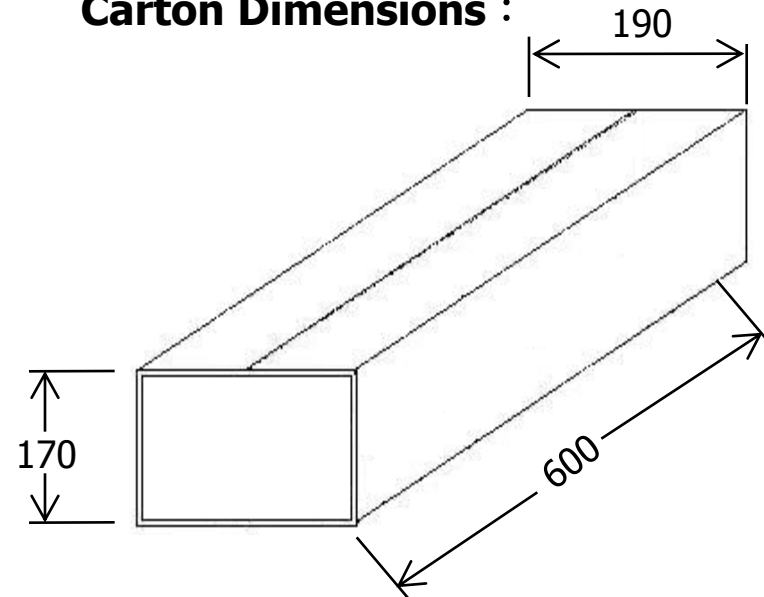
## Tube Dimensions :



1.UNITS : MILLIMETER ( mm )

2.PACKAGE QUANTITY : TUBE = 20 Pieces  
CARTON = 3000 Pieces

## Carton Dimensions :



PRELIMINARY

Approved by :

Checked by :

TITLE: Package Criterion

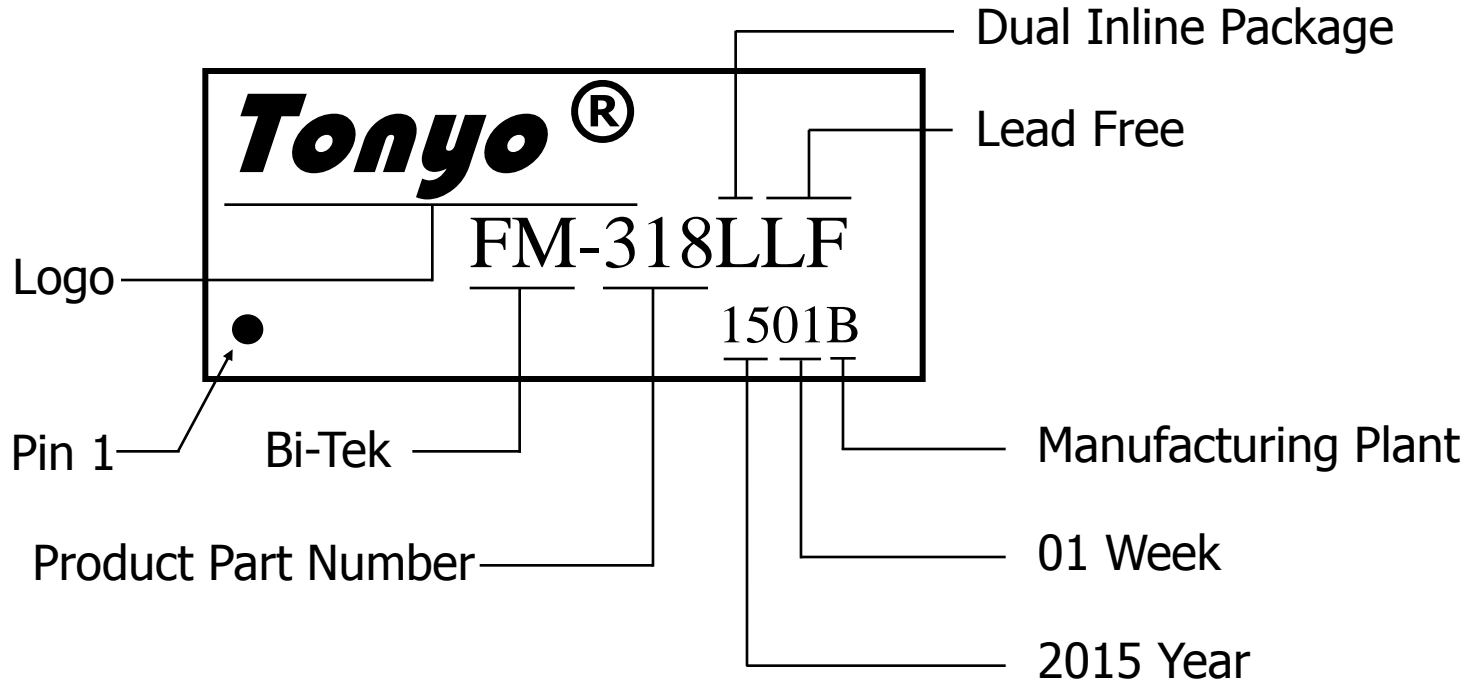
**Tonyo**<sup>®</sup>

PART NO: FM-318LLF

SCALE: NONE

SHEET 5 OF 6

# Part Number Legend :



PRELIMINARY

Approved by :

Checked by :

TITLE: Part Number Legend

**Tonyo®**

PART NO: FM-318LLF

SCALE: NONE

SHEET 6 OF 6